

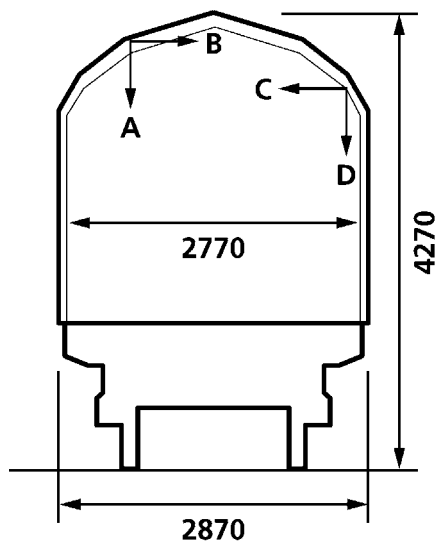
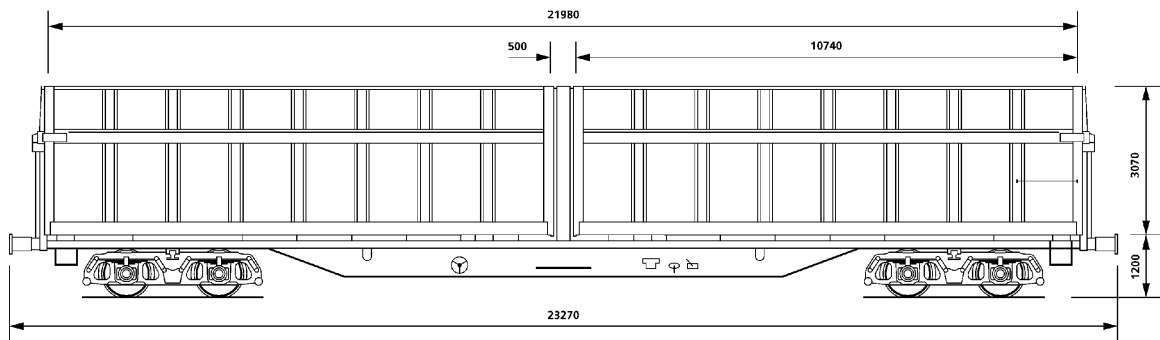
Wagon is RIV approved for mainland Europe and Finland.

2 sliding hoods per wagon side give access to the complete floor area from both sides and facilitate the loading/unloading by fork lift truck from ground level but also loading/unloading from top by crane.

Wagon has been designed for an even distribution of load on the wagon floor.

The maximum wheel pressure on the floor board is 5 tonnes.

Winches are also fitted to enable tensioned strap security.



Wagon Data

Overall length (over buffers)	23.270mm
Overall height	4.270mm
Loading length	21.980mm
Loading width	2.770mm
Loading area	61m2
Loading capacity	165m3
Length of hood aperture	10.740mm
Platform height	1.200mm
Tare weight	28.000 kgs
Payload (axle load 20.0 tonnes) ca.	54.000 kgs
Payload (axle load 22.5 tonnes) ca.	62.000 kgs
Minimum curve	75 metres
Maximum speed	100 kph

Refer to separate table for height and width dimensions

Payload	A	B	C	D	
S	36	44	54	62	**

GE110

Sins 1

Measurements in hood area (A – B)	
Height above wagon floor (mm)	Loading width (mm)
1 2045	2770
2095	2721
2145	2671
2195	2622
2245	2573
2295	2523
2345	2474
2395	2424
2 2430	2390
2480	2290
2530	2190
2580	2090
2630	1990
2680	1890
2730	1790
3 2740	1770
2790	1447
2840	1124
2890	800
2940	478
2990	155
4 3000	90

Measurements central arch area (C – D)	
Height above wagon floor (mm)	Loading width (mm)
1 1870	2760
1920	2712
1970	2662
2020	2613
2070	2564
2120	2515
2170	2466
2220	2417
2270	2368
2320	2319
2370	2270
2 2385	2255
2435	2155
2485	2055
2535	1955
2585	1855
2635	1755
3 2670	1685
2720	1360
2770	1035
2820	712
2870	389
2920	65
4 2930	0

GE110

Sins 1