

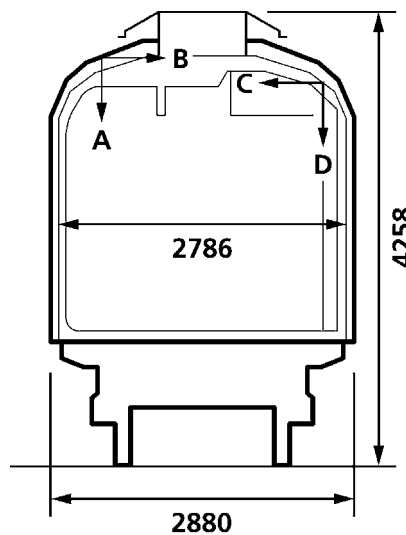
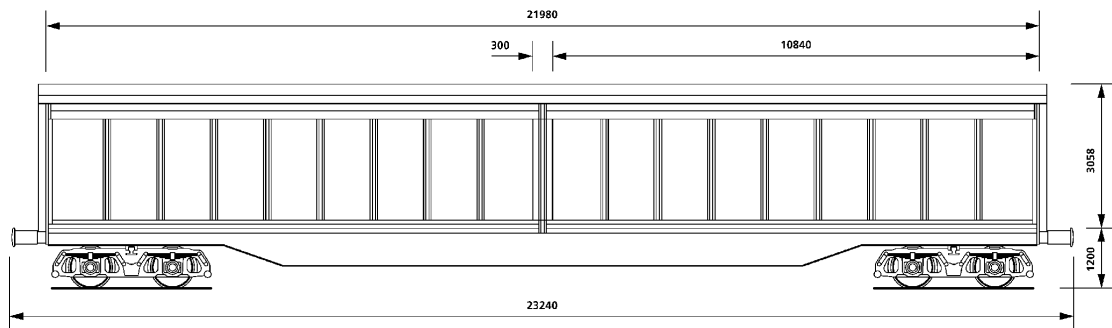
Wagon is RIV approved for mainland Europe.

2 sliding walls per wagon side give access to the complete floor area from both sides and facilitate the loading/unloading by fork lift truck from ground level.

Wagon has been designed for an even distribution of load on the wagon floor.

The maximum wheel pressure on the floor board is 5 tonnes.

The wagon is fitted with fixing points along both sides for loading security puposes.



Refer to separate table for height and width dimensions

Wagon Data

Overall length (over buffers)	23.240mm
Overall height	4.258mm
Loading length	21.980mm
Loading width	2.786mm
Loading area	61m²
Loading capacity	168m³
Length of door openings (2 per side)	10,840mm
Height of door openings	Standard 2.630mm
	H3 C plus 2.800mm
	H3 D 2.770mm
Platform height	1.200 mm
Tare weight	29.500 kgs
Payload ca.	50.500 kgs
Minimum curve	75 metres
Maximum speed	100 kph

Payload	A	B	C	
S	34.5	42.5	50.5	**

GE104

Habis 3

Measurements in wall area (A – B)	
Height above wagon floor (mm)	Loading width (mm)
2.167	2.786
2.210	2.738
2.255	2.694
2.300	2.656
2.345	2.610
2.388	2.576
2.435	2.496
2.480	2.422
2.525	2.338
2.573	2.244
2.590	2.166
2.610	2.036
2.630	1.926
2.650	1.824
2.670	1.710
2.690	1.596
2.710	1.482
2.730	1.368
2.750	1.254
2.770	1.140
2.790	1.026
2.800	938

Measurements in roof support area (C – D)	
Height above wagon floor (mm)	Loading width (mm)
2.079	2.780
2.100	2.762
2.150	2.718
2.200	2.668
2.250	2.626
2.300	2.578
2.350	2.534
2.410	2.468
2.450	2.376
2.480	2.288
2.515	2.188
2.555	1.788
2.595	1.388
2.630	1.048

Habis 3

54 Pallets (800x1200)

42 Pallets (1000x1200)

GE104

Habis 3